

FrameLine SQ4 LED Panel 590x590 36W
FrameLine SQ4 Panneau LED 590x590 36W

TSG



- Design LED Panel Luminaire
- Efficacy luminaire 100 Lm/W
- Easy installation, FIT-IN
- Long lifetime >50000hrs
- Philips Driver Optional

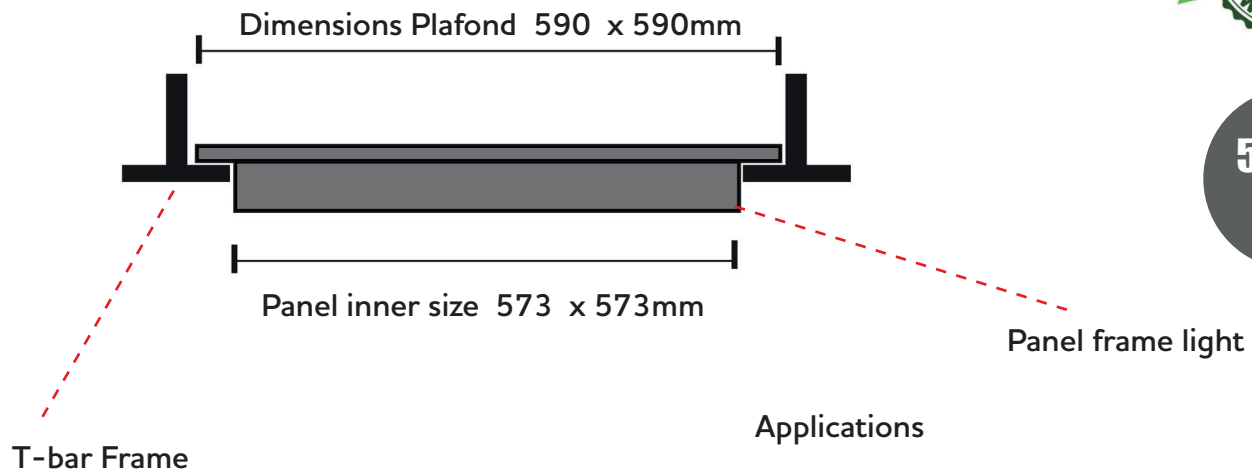
- *Panneau lumineux LED design*
- *Efficacité lumineuse : 100 lm/W*
- *Installation facile, encastrable*
- *Durée de vie : > 50 000 h*
- *Driver Philips en option*

59x59cm **3600 Lm**
EFF100
IP41

UGR<17 Design LED Panel



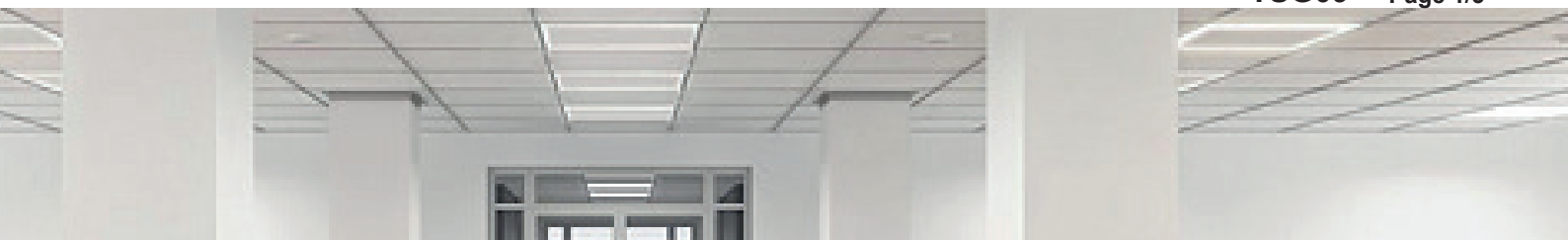
DESIGN LED PANEL 100 Lumen / Watt



Applications

- **Offices / Bureaux**
- **Board rooms / Salles de réunion**
- **Shops / Magasins**

PROFESSIONAL APPLICATIONS



FrameLine SQ4 LED Panel 590x590 36W
FrameLine SQ4 Panneau LED 590x590 36W

TSG

Technical Specifications
Données techniques

36 Watt
59x59cm



Input Voltage	Max. Current	Operating Voltage	Constant Current	Power Consumption	Power Factor
AC200-240V	0.2A	DC36V	700mA	36W	> 0.95
LED Type	LED Q'ty	CRI			
SMD2835	60 PCS	> 80Ra			
Life Time	Certifications	IP Code	Luminaire Class	Product Dimension	N.W.
50.000 Hours	CE, Rohs	IP41	Class I	L595*W595*H35mm	0.85Kg
Operating Temperature	Humidity Operating	Driver Type	Dimming	Packing Dimension	G.W.
-20°C to +50°C	10-80% RH	Tsong	Optional	L645*W95*H645mm	1.02Kg
Outer carton package	5*2 layer = 10PCS/carton, L660*W320*H660mm, GW 8.15Kg				

LUMINOUS FLUX
FLUX LUMINEUX

36 Watt
60x60 cm

CCT	3000K	4000K	6000K
Luminous Efficiency	95 Lm/W	100 Lm/W	100 Lm/W
Luminous Flux	4060 Lm	3600 Lm	3600 Lm
Beam Angle	90° UGR<19		

PHILIPS
DRIVER
OPTIONAL

BASIC DRIVER BRAND

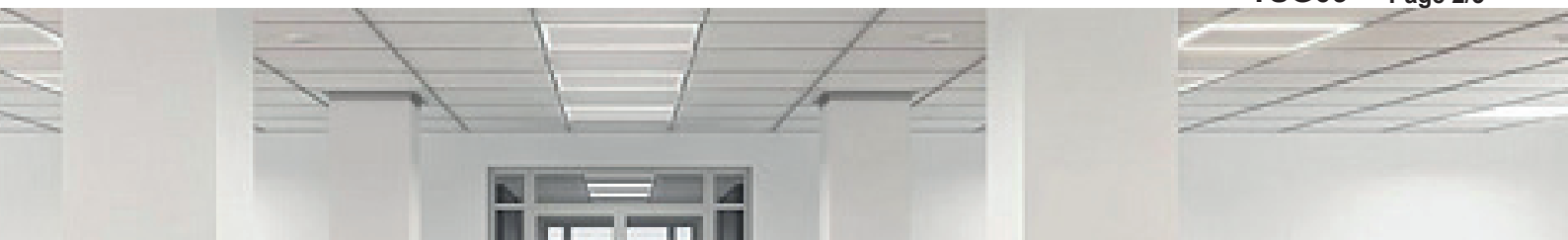
Sharplumi

OPTIONAL

Emergency Driver
Philips Driver
Triac / 0-10V Dimming
Philips DALI Dimming



PROFESSIONAL APPLICATIONS



FrameLine SQ4 LED Panel 590x590 36W
FrameLine SQ4 Panneau LED 590x590 36W



Kelvin range / Kelvin disponible

- 3000K** Warmwhite / Blanc chaud
- 4000K** Neutralwhite / Blanc neutre
- 6000K** Coldwhite / Blanc froid



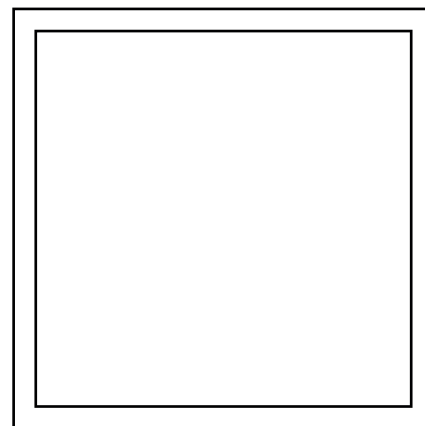
Packaging / Emballage

- 36 Watt - 59x59cm**
- Weight - Poids 1 pce | 0.8 Kg**
- 10 pcs / box - carton | 8.15 Kg**

5 x 2pcs per Box of ten



Product Images / Photos supplémentaires



Product Code(s) / Codes d'articles

TSG09030	LED Panel FRAMELINE 595x595mm 36W 3000K 3600Lm UGR19 230v IP41 /10
TSG09040	LED Panel FRAMELINE 595x595mm 36W 4000K 3600Lm UGR19 230v IP41
TSG09060	LED Panel FRAMELINE 595x595mm 36W 6000K 3600Lm UGR19 230v IP41
TSG09155	LED Panel FRAMELINE 595x595mm 36W 3CCT 3600Lm UGR19 230v IP41 WHITE lichtkleur instelbaar CCT 3000K, 4000K, 6000K
TSG09355	LED Panel FRAMELINE 595x595mm 36W 3CCT 3600Lm UGR19 230v IP41 BLACK lichtkleur instelbaar CCT 3000K, 4000K, 6000K

PROFESSIONAL APPLICATIONS

