



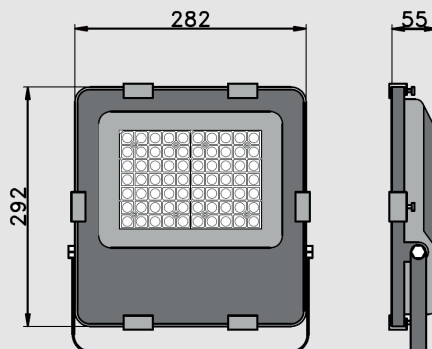
**Floodlight PRO 100W-150W-200W Philips Driver PIR**  
Projecteur PRO 100W-150W-200W Philips Driver PIR

**TSONG**

**15000 Lm**  
**EFF150**  
**IP66**



**100 Watt**



**PHILIPS**  
DRIVER



**Technical Specifications**  
Données techniques

**100 Watt**



Input Voltage	Max. Current	Operating Voltage	Constant Current	Power Consumption	Power Factor
AC200-240V	0.5A	DC84V	1.05A	100W	> 0.95
LED Type	LED Q'ty	CRI			
SMD2835	140 PCS	> 80Ra			
Life Time	Certifications	IP Code	Luminaire Class	Product Dimension	N.W.
50.000 Hours	CE, Rohs	IP66	Class I	L282*W55*H292mm	3.0Kg
Operating Temperature	Humidity Operating	Driver / Transfo			Packing Dimension
-20°C to +55°C	10-80% RH	Philips Xitanium			L328*W70*H363mm
Outer carton package	5*1 layer = 5PCS/carton, L370*W345*H380mm, GW 17 Kg				

**LUMINOUS FLUX**  
**FLUX LUMINEUX**

**100 Watt**

CCT	3000K	4000K	6000K
Luminous Efficiency	140 Lm/W	150 Lm/W	150 Lm/W
Luminous Flux	14000 Lm	15000 Lm	15000 Lm
Beam Angle	90°		



Product technical specifications and packaging details may change without prior notice  
Les spécifications techniques et les détails d'emballage des produits peuvent être modifiés sans préavis.

**PROFESSIONAL APPLICATIONS**

TSG912 PIR IP66

Page 1



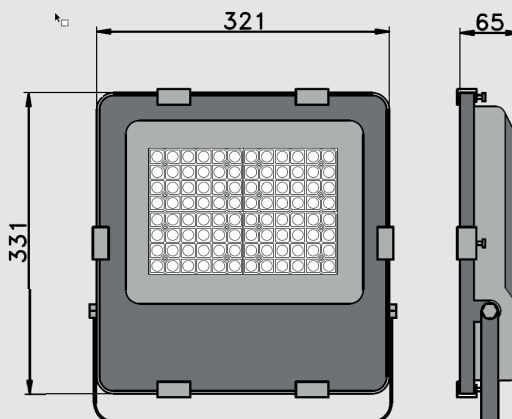


**Floodlight PRO 100W-150W-200W Philips Driver PIR**  
Projecteur PRO 100W-150W-200W Philips Driver PIR

**TSONG**



**150 Watt**



**22500 Lm**  
**EFF150**  
**IP66**



**PHILIPS**  
DRIVER



**Technical Specifications**  
Données techniques

**150 Watt**



Input Voltage	Max. Current	Operating Voltage	Constant Current	Power Consumption	Power Factor
AC200-240V	0.75A	DC132V	1.05A	150W	> 0.95
LED Type	LED Q'ty	CRI			
SMD2835	192 PCS	> 80Ra			
Life Time	Certifications	IP Code	Luminaire Class	Product Dimension	N.W.
50.000 Hours	CE, Rohs	IP66	Class I	L321*W65*H331mm	3.7Kg
Operating Temperature	Humidity Operating	Driver / Transfo			Packing Dimension
-20°C to +55°C	10-80% RH	Philips Xitanium			L368*W80*H410mm
Outer carton package	5*1 layer = 5PCS/carton, L420*W385*H425mm, GW 20.5 Kg				

**LUMINOUS FLUX**  
**FLUX LUMINEUX**

**150 Watt**  
**PIR**

CCT	3000K	4000K	6000K
Luminous Efficiency	140 Lm/W	150 Lm/W	150 Lm/W
Luminous Flux	21000 Lm	22500 Lm	22500 Lm
Beam Angle	90°		



Product technical specifications and packaging details may change without prior notice.  
Les spécifications techniques et les détails d'emballage des produits peuvent être modifiés sans préavis.

**PROFESSIONAL APPLICATIONS**

**TSG912 PIR IP66**

Page 2



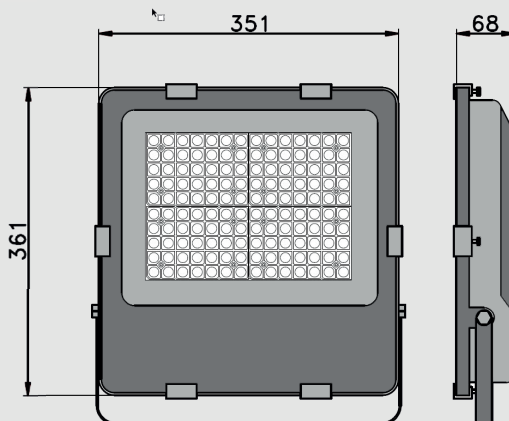


**Floodlight PRO 100W-150W-200W Philips Driver PIR**  
Projecteur PRO 100W-150W-200W Philips Driver PIR

**TSONG**



**200 Watt**



**30000 Lm**  
**EFF150**  
**IP66**



**PHILIPS**  
DRIVER



**Technical Specifications**  
Données techniques

**200 Watt**



Input Voltage	Max. Current	Operating Voltage	Constant Current	Power Consumption	Power Factor
AC200-240V	1.00A	DC168V	1.05A	200W	> 0.95
LED Type	LED Q'ty	CRI			
SMD2835	280 PCS	> 80Ra			
Life Time	Certifications	IP Code	Luminaire Class	Product Dimension	N.W.
50.000 Hours	CE, Rohs	IP66	Class I	L351*W68*H361mm	4.9Kg
Operating Temperature	Humidity Operating	Driver / Transfo			Packing Dimension
-20°C to +55°C	10-80% RH	Philips Xitanium			L398*W83*H435mm
Outer carton package	4*1 layer = 4PCS/carton, L415*W350*H435mm, GW 21.6 Kg				

**LUMINOUS FLUX**  
**FLUX LUMINEUX**

**200 Watt**

CCT	3000K	4000K	6000K
Luminous Efficiency	140 Lm/W	150 Lm/W	150 Lm/W
Luminous Flux	28000 Lm	30000 Lm	30000 Lm
Beam Angle	90°		



Product technical specifications and packaging details may change without prior notice  
Les spécifications techniques et les détails d'emballage des produits peuvent être modifiés sans préavis.

**PROFESSIONAL APPLICATIONS**

TSG912 PIR IP66





**Floodlight PRO 100W-150W-200W Philips Driver PIR**  
Projecteur PRO 100W-150W-200W Philips Driver PIR

**TSONG**



**Kelvin range / Kelvin disponible**

- 3000K** Warmwhite / Blanc chaud
- 4000K** Neutralwhite / Blanc neutre
- 6000K** Coldwhite / Blanc froid



**Packaging / Emballage**

- 100 Watt**
- Weight - Poids 1 pce | 3.0Kg**
- 5 pcs / box - carton | 17.0Kg**

- 150 Watt**
- Weight - Poids 1 pce | 3.7Kg**
- 5 pcs / box - carton | 20.5Kg**

- 200 Watt**
- Weight - Poids 1 pce | 4.9Kg**
- 4 pcs / box - carton | 21.6Kg**



**Product Images / Photos supplémentaires**



**Product Code(s) / Codes d'articles**

TSG912030	LED Floodlight 100W 3000K 14000Lm PHILIPS XITANIUM DRIVER 230v IP66 PIR
TSG912040	LED Floodlight 100W 4000K 14000Lm PHILIPS XITANIUM DRIVER 230v IP66 PIR
TSG912060	LED Floodlight 100W 6000K 15000Lm PHILIPS XITANIUM DRIVER 230v IP66 PIR
TSG912130	LED Floodlight 150W 3000K 21000Lm PHILIPS XITANIUM DRIVER 230v IP66 PIR
TSG912140	LED Floodlight 150W 4000K 22500Lm PHILIPS XITANIUM DRIVER 230v IP66 PIR
TSG912160	LED Floodlight 150W 6000K 22500Lm PHILIPS XITANIUM DRIVER 230v IP66 PIR
TSG912230	LED Floodlight 300W 4000K 30000Lm PHILIPS XITANIUM DRIVER 230v IP66 PIR
TSG912240	LED Floodlight 200W 4000K 30000Lm PHILIPS XITANIUM DRIVER 230v IP66 PIR
TSG912250	LED Floodlight 200W 6000K 30000Lm PHILIPS XITANIUM DRIVER 230v IP66 PIR



Product technical specifications and packaging details may change without prior notice  
Les spécifications techniques et les détails d'emballage des produits peuvent être modifiés sans préavis.

**PROFESSIONAL APPLICATIONS**

