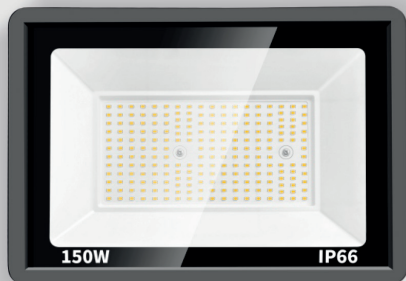
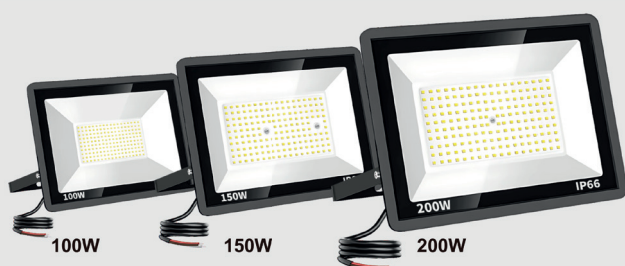


**Floodlight TSG DOB 100W-150W-200W S**  
Projecteur TSG DOB 100W-150W-200W S

**TSONG**



- DOB-S Technology **12000 Lm**
- ECO **18000 Lm**
- UltraThin **24000 Lm**
- 120 Lm/Watt
- 3000K, 4000K, 6000K
- Black Aluminium



EFF120  
**IP66**



**Technical Specifications**  
Données techniques

**100 Watt**



| Input Voltage         | Max. Current   | Operating Voltage | Constant Current | Power Consumption | Power Factor |
|-----------------------|--|-------------------|------------------|-------------------|--------------|
| AC200-240V            | 0.046A   | DC216V            | 0.45A            | 100W              | > 0.92       |
| LED Type              | LED Q'ty   | CRI               |                  |                   |              |
| SMD2835               | 144 PCS  | > 80Ra            |                  |                   |              |
| Life Time             | Certifications                                       | IP Code           | Luminaires Class | Product Dimension | N.W.         |
| 50.000 Hours          | CE, Rohs   | IP66              | Class I          | L272*W212*H34mm   | 0.835Kg      |
| Operating Temperature | Humidity Operating                                   | Driver / Transfo  |                  |                   | G.W.         |
| -20°C to +55°C        | 10-80% RH  | Tech DOB          |                  |                   | 0.948Kg      |
| Outer carton package  | 10*1 layer = 10PCS/carton, L525*W330*H270mm, GW 10Kg |                   |                  |                   |              |

**LUMINOUS FLUX  
FLUX LUMINEUX**

**100 Watt**

| CCT                 | 3000K    | 4000K    | 6000K    |
|---------------------|----------|----------|----------|
| Luminous Efficiency | 110 Lm/W | 120 Lm/W | 120 Lm/W |
| Luminous Flux       | 11000 Lm | 12000 Lm | 12000 Lm |
| Beam Angle          | 120°     |          |          |

Product technical specifications and packaging details may change without prior notice  
Les spécifications techniques et les détails d'emballage des produits peuvent être modifiés sans préavis.

**RESIDENTIAL APPLICATIONS**

TSG920 DOB- S

Page 1/4



## Floodlight TSG DOB 100W-150W-200W S

Projecteur TSG DOB 100W-150W-200W S

**TSONG**

### Technical Specifications

Données techniques

**150 Watt**



| Input Voltage         | Max. Current                                       | Operating Voltage | Constant Current | Power Consumption | Power Factor      |
|-----------------------|--|-------------------|------------------|-------------------|-------------------|
| AC200-240V            | 0.68A  | DC216V            | 0.69A            | 150W              | > 0.92            |
| LED Type              | LED Q'ty   | CRI               |                  |                   |                   |
| SMD2835               | 216 PCS  | > 80Ra            |                  |                   |                   |
| Life Time             | Certifications                                     | IP Code           | Luminaire Class  | Product Dimension | N.W.              |
| 50.000 Hours          | CE, Rohs   | IP66              | Class I          | L322*W231*H37mm   | 1.18Kg            |
| Operating Temperature | Humidity Operating                                 | Driver / Transfo  |                  |                   | Packing Dimension |
| -20°C to +55°C        | 10-80% RH  | DOB               |                  |                   | L360*W52*H265mm   |
| Outer carton package  | 8*1 layer = 8PCS/carton, L440*W380*H285mm, GW 11Kg |                   |                  |                   |                   |

### LUMINOUS FLUX

FLUX LUMINEUX

**150 Watt**

| CCT                 | 3000K    | 4000K    | 6000K    |
|---------------------|----------|----------|----------|
| Luminous Efficiency | 110 Lm/W | 120 Lm/W | 120 Lm/W |
| Luminous Flux       | 16500 Lm | 18000 Lm | 18000 Lm |
| Beam Angle          | 120°     |          |          |

### Technical Specifications

Données techniques

**200 Watt**



| Input Voltage         | Max. Current  | Operating Voltage | Constant Current | Power Consumption | Power Factor      |
|-----------------------|---|-------------------|------------------|-------------------|-------------------|
| AC200-240V            | 0.91A   | DC216V            | 0.925A           | 200W              | > 0.92            |
| LED Type              | LED Q'ty  | CRI               |                  |                   |                   |
| SMD2835               | 288 PCS   | > 80Ra            |                  |                   |                   |
| Life Time             | Certifications                                      | IP Code           | Luminaire Class  | Product Dimension | N.W.              |
| 50.000 Hours          | CE, Rohs  | IP66              | Class I          | L382*W287*H37mm   | 1.68Kg            |
| Operating Temperature | Humidity Operating                                  | Driver / Transfo  |                  |                   | Packing Dimension |
| -20°C to +55°C        | 10-80% RH   | DOB               |                  |                   | L420*W56*H320mm   |
| Outer carton package  | 5*1 layer = 5PCS/carton, L440*W300*H340mm, GW 9.8Kg |                   |                  |                   |                   |

### LUMINOUS FLUX

FLUX LUMINEUX

**200 Watt**

| CCT                 | 3000K    | 4000K    | 4000K    |
|---------------------|----------|----------|----------|
| Luminous Efficiency | 110 Lm/W | 120 Lm/W | 120 Lm/W |
| Luminous Flux       | 22000 Lm | 24000 Lm | 24000 Lm |
| Beam Angle          | 120°     |          |          |

Product technical specifications and packaging details may change without prior notice  
Les spécifications techniques et les détails d'emballage des produits peuvent être modifiés sans préavis.

## RESIDENTIAL APPLICATIONS

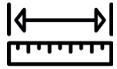
TSG920 DOB- S

Page 2/4

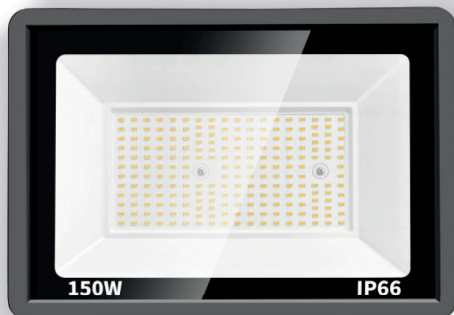
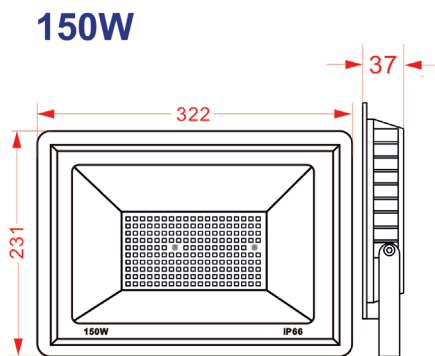
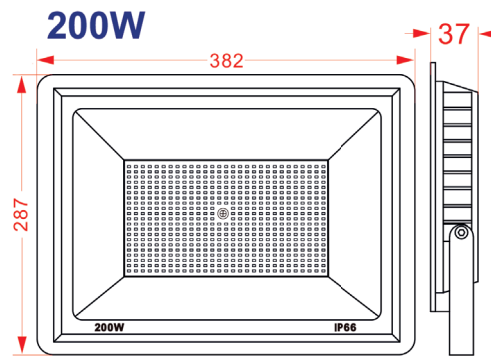
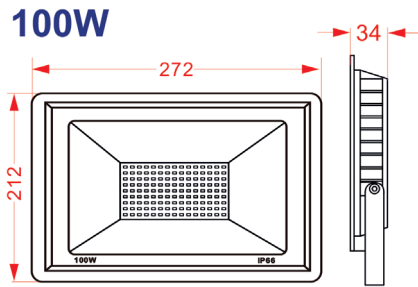


**Floodlight TSG DOB 100W-150W-200W S**  
Projecteur TSG DOB 100W-150W-200W S

**TSONG**



**Dimensions / Mesures**



Product technical specifications and packaging details may change without prior notice  
Les spécifications techniques et les détails d'emballage des produits peuvent être modifiés sans préavis.

**RESIDENTIAL APPLICATIONS**

TSG920 DOB- S

Page 3/4



## Floodlight TSG DOB 100W-150W-200W S

Projecteur TSG DOB 100W-150W-200W S

**TSONG**



### Kelvin range / Kelvin disponible

- 3000K** Warmwhite / Blanc chaud
- 4000K** Neutralwhite / Blanc neutre
- 6000K** Coldwhite / Blanc froid



### Packaging / Emballage

- 100 Watt**
- Weight - Poids 1 pce | 0.835 Kg
- 10 pcs / box - carton | 10 Kg

- 150 Watt**
- Weight - Poids 1 pce | 1.18 Kg
- 8 pcs / box - carton | 11 Kg

- 200 Watt**
- Weight - Poids 1 pce | 1.68 Kg
- 5 pcs / box - carton | 9.8 Kg



### Product Images / Photos supplémentaires



### Product Code(s) / Codes d'articles

|           |  |
|-----------|--|
| TSG920530 | LED Floodlight DOB 100W 3000K 11000Lm 230v IP66 - S-Type non-dim |
| TSG920540 | LED Floodlight DOB 100W 4000K 12000Lm 230v IP66 - S-Type non-dim |
| TSG920560 | LED Floodlight DOB 100W 6000K 12000Lm 230v IP66 - S-Type non-dim |
| TSG920630 | LED Floodlight DOB 150W 3000K 16200Lm 230v IP66 - S-Type non-dim |
| TSG920640 | LED Floodlight DOB 150W 4000K 18000Lm 230v IP66 - S-Type non-dim |
| TSG920660 | LED Floodlight DOB 150W 6000K 18000Lm 230v IP66 - S-Type non-dim |
| TSG920730 | LED Floodlight DOB 200W 3000K 22000Lm 230v IP66 - S-Type non-dim |
| TSG920740 | LED Floodlight DOB 200W 4000K 24000Lm 230v IP66 - S-Type non-dim |
| TSG920760 | LED Floodlight DOB 200W 6000K 24000Lm 230v IP66 - S-Type non-dim |

Product technical specifications and packaging details may change without prior notice  
Les spécifications techniques et les détails d'emballage des produits peuvent être modifiés sans préavis.

## RESIDENTIAL APPLICATIONS

TSG920 DOB- S

Page 4/4

