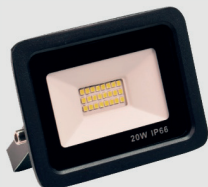


Floodlight TSG UltraThin 10W-20W-30W-50W Eco
Projecteur TSG UltraThin 10W-20W-30W-50W Eco

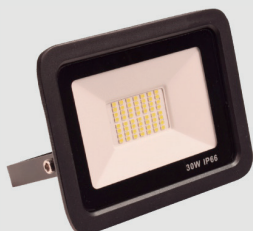
TSONG



10 Watt



20 Watt



30 Watt



50 Watt

- Compact
- ECO
- UltraThin
- 100 Lm/Watt
- 3000K et 4000K
- Black Aluminium

1000 Lm
2000 Lm
3000 Lm
5000 Lm

EFF100
IP66



Technical Specifications
Données techniques

10 Watt



Input Voltage	Max. Current	Operating Voltage	Constant Current	Power Consumption	Power Factor
AC200-240V	0.049A	DC216V	0.045A	10W	> 0.9
LED Type	LED Q'ty	CRI			
SMD2835	12 PCS	> 80Ra			
Life Time	Certifications	IP Code	Luminaires Class	Product Dimension	N.W.
50.000 Hours	CE, Rohs	IP66	Class I	L102*W82*H23mm	0.16Kg
Operating Temperature	Humidity Operating	Driver / Transfo			G.W.
-20°C to +55°C	10-80% RH	Basic / DOB	L110*W27*H100mm		0.20Kg
Outer carton package	60*1 layer = 60PCS/carton, L425*W240*H220mm, GW 11.6Kg				

LUMINOUS FLUX
FLUX LUMINEUX

10 Watt

CCT	3000K	4000K
Luminous Efficiency	90 Lm/W	100 Lm/W
Luminous Flux	900 Lm	1000 Lm
Beam Angle	120°	

Product technical specifications and packaging details may change without prior notice
Les spécifications techniques et les détails d'emballage des produits peuvent être modifiés sans préavis.

RESIDENTIAL APPLICATIONS



Floodlight TSG UltraThin 10W-20W-30W-50W Eco

Projecteur TSG UltraThin 10W-20W-30W-50W Eco

TSONG

Technical Specifications

Données techniques

20 Watt



Input Voltage	Max. Current	Operating Voltage	Constant Current	Power Consumption	Power Factor
AC200-240V	0.098A	DC216V	0.09A	20W	> 0.9
LED Type	LED Q'ty	CRI			
SMD2835	24 PCS	> 80Ra			
Life Time	Certifications	IP Code	Luminaire Class	Product Dimension	N.W.
50.000 Hours	CE, Rohs	IP66	Class I	L118*W93*H26mm	0.235Kg
Operating Temperature	Humidity Operating	Driver / Transfo			Packing Dimension
-20°C to +55°C	10-80% RH	Basic / DOB			L130*W30*H108mm
Outer carton package	40*1 layer = 40PCS/carton, L320*W280*H235mm, GW 11.2Kg				

LUMINOUS FLUX
FLUX LUMINEUX

20 Watt

CCT	3000K	4000K
Luminous Efficiency	90 Lm/W	100 Lm/W
Luminous Flux	1800 Lm	2000 Lm
Beam Angle	120°	

Technical Specifications

Données techniques

30 Watt



Input Voltage	Max. Current	Operating Voltage	Constant Current	Power Consumption	Power Factor
AC200-240V	0.236A	DC252V	0.19A	30W	> 0.9
LED Type	LED Q'ty	CRI			
SMD2835	56 PCS	> 80Ra			
Life Time	Certifications	IP Code	Luminaire Class	Product Dimension	N.W.
50.000 Hours	CE, Rohs	IP66	Class I	L159*W121*H28mm	0.365Kg
Operating Temperature	Humidity Operating	Driver / Transfo			Packing Dimension
-20°C to +55°C	10-80% RH	Basic / DOB			L165*W32*H130mm
Outer carton package	60*1 layer = 60PCS/carton, L425*W240*H220mm, GW 11.6Kg				

LUMINOUS FLUX
FLUX LUMINEUX

30 Watt

CCT	3000K	4000K
Luminous Efficiency	90 Lm/W	100 Lm/W
Luminous Flux	2700 Lm	3000 Lm
Beam Angle	120°	

Product technical specifications and packaging details may change without prior notice
Les spécifications techniques et les détails d'emballage des produits peuvent être modifiés sans préavis.

RESIDENTIAL APPLICATIONS

TSG920 eco

Page 2/4



Floodlight TSG UltraThin 10W-20W-30W-50W Eco

Projecteur TSG UltraThin 10W-20W-30W-50W Eco

TSONG

Technical Specifications

Données techniques

50 Watt



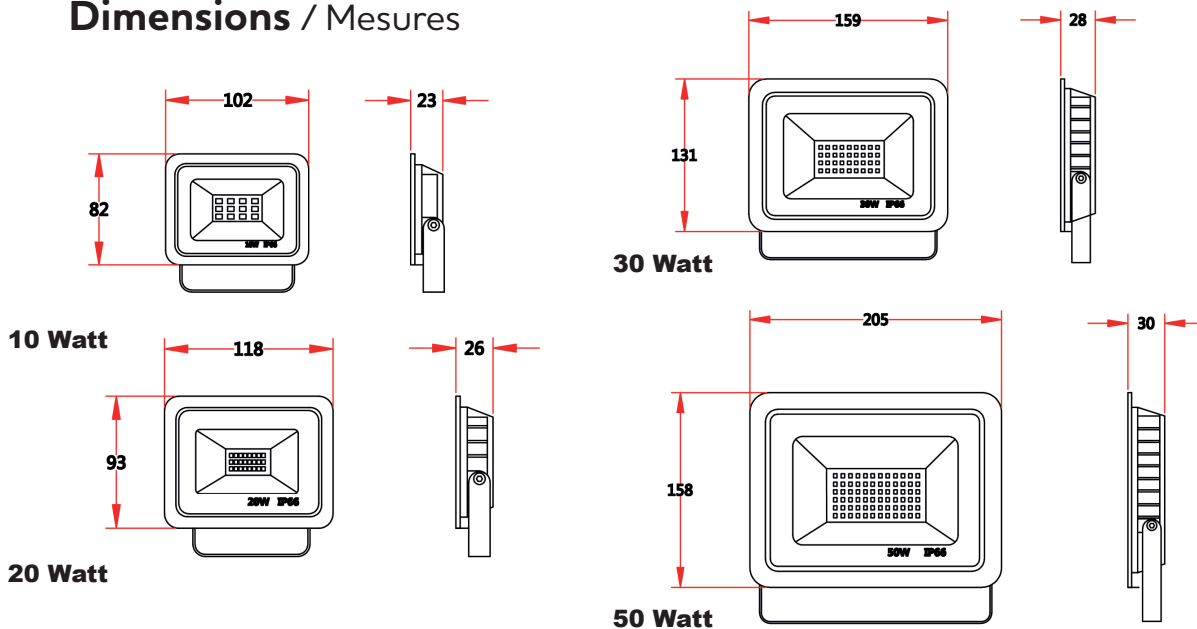
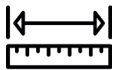
Input Voltage	Max. Current	Operating Voltage	Constant Current	Power Consumption	Power Factor
AC200-240V	0.236A	DC252V	0.19A	50W	> 0.9
LED Type	LED Q'ty	CRI			
SMD2835	84 PCS	> 80Ra			
Life Time	Certifications	IP Code	Luminaire Class	Product Dimension	N.W.
50.000 Hours	CE, Rohs	IP66	Class I	L205*W158*H30mm	0.585Kg
Operating Temperature	Humidity Operating	Driver / Transfo	Packing Dimension		G.W.
-20°C to +55°C	10-80% RH	Basic / DOB	L212*W35*H170mm		0.65Kg
Outer carton package	20*1 layer = 20PCS/carton, L370*W230*H360mm, GW 13.5Kg				

LUMINOUS FLUX
FLUX LUMINEUX

50 Watt

CCT	3000K	4000K
Luminous Efficiency	90 Lm/W	100 Lm/W
Luminous Flux	4500 Lm	5000 Lm
Beam Angle	120°	

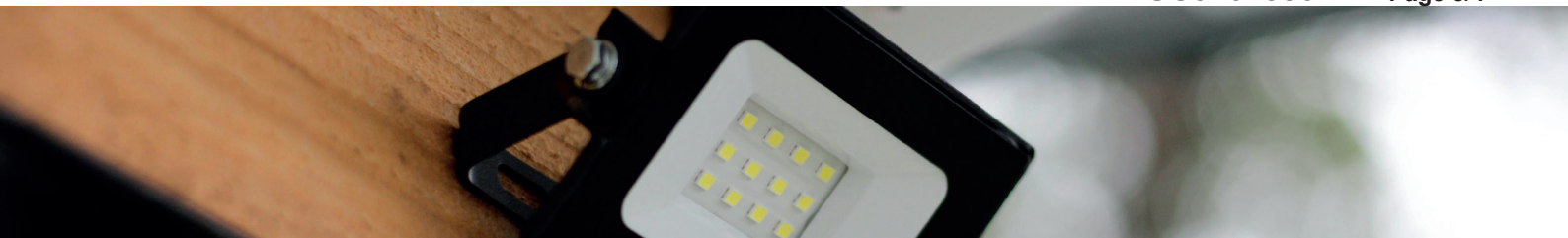
Dimensions / Mesures



Product technical specifications and packaging details may change without prior notice
Les spécifications techniques et les détails d'emballage des produits peuvent être modifiés sans préavis.

RESIDENTIAL APPLICATIONS

TSG920 eco



Floodlight TSG UltraThin 10W-20W-30W-50W Eco
Projecteur TSG UltraThin 10W-20W-30W-50W Eco

TSONG



Kelvin range / Kelvin disponible

3000K Warmwhite / Blanc chaud

4000K Neutralwhite / Blanc neutre



Packaging / Emballage

10 Watt

Weight - Poids 1 pce | 0.160 Kg

60 pcs / box - carton | 11.6 Kg

20 Watt

Weight - Poids 1 pce | 0.240 Kg

40 pcs / box - carton | 11.2 Kg

30 Watt

Weight - Poids 1 pce | 0.365 Kg

40 pcs / box - carton | 13.5 Kg

50 Watt

Weight - Poids 1 pce | 0.595 Kg

20 pcs / box - carton | 13.5Kg



Product Images / Photos supplémentaires



Product Code(s) / Codes d'articles

TSG920130	LED Floodlight DOB 10W 3000K 1000Lm 230v IP66 - SuperThinType
TSG920140	LED Floodlight DOB 10W 4000K 1000Lm 230v IP66 - SuperThinType
TSG920230	LED Floodlight DOB 20W 3000K 2000Lm 230v IP66 - SuperThinType
TSG920240	LED Floodlight DOB 20W 4000K 2000Lm 230v IP66 - SuperThinType
TSG920330	LED Floodlight DOB 30W 3000K 3000Lm 230v IP66 - SuperThinType
TSG920340	LED Floodlight DOB 30W 4000K 3000Lm 230v IP66 - SuperThinType
TSG920430	LED Floodlight DOB 50W 3000K 5000Lm 230v IP66 - SuperThinType
TSG920440	LED Floodlight DOB 50W 4000K 5000Lm 230v IP66 - SuperThinType

Product technical specifications and packaging details may change without prior notice
Les spécifications techniques et les détails d'emballage des produits peuvent être modifiés sans préavis.

RESIDENTIAL APPLICATIONS

TSG920 eco

Page 4/4

